

Networked Power Control

The Greeve Networked Power Control System (NPCS) provides reliable, simple installation of networked switching for all platform electrical loads. Instead of wiring individual switches and power cables to each load a simple power bus and a communication network bus are wired around the platform. Power is switched to the loads using a network command to satellite nodes located near the loads.

The NPCS is made up of two basic components: a central control unit (CCU) and remote interface nodes (RIN).

The CCU acts as the brains of the system and interfaces with local switches and controls and sends out switch messages to the RINs via the network. The RINs accept messages addressed to their specific loads and switch them on and off. In addition the CCU has a number of directly switched outputs.

Some RIN versions have local switch and sensor input capability enabling switch requests to be sent to the CCU – for example a remote door open switch can be wired to a local RIN instead of needing discrete wiring all the way to CCU or a sensor can be wired into a RIN keeping sensor cabling to a minimum.

The system uses solid-state self protecting technology. There are no relay contacts to cause arcing and no fuses are required. The outputs automatically shut down when a fault is detected and recover when the fault is removed.

Expansion:

As well as the option detailed here, the system is fully compatible with the Greeve Electronic Control Unit and the Condition Monitoring Unit enabling a networked system of platform control and monitoring.

Bespoke Development:

Greeve can provide systems to meet exact requirements. The unit can be provided with specific hardware and software implementations to suit customer applications.

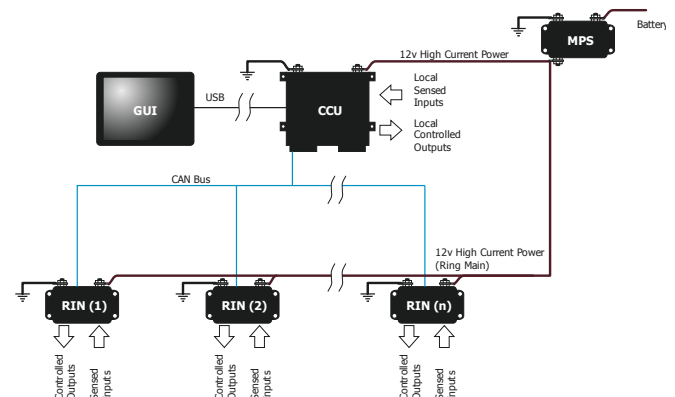


Standard Features:

- Environmental Protection – IP67
- Shock – 50g all surfaces
- Operational Temperature -30°C to +80°C
- CAN II interface
- USB 2.0
- CCU – 6 Switch/PWM 4A outputs
- RIN - 2, 4 or 6 switch 4A outputs (2 PWM)
- Self protected against load faults
- Protected against supply faults
- Power 7 to 18v DC (24v – 36v option)

Options:

- Ethernet interface
- Sealed connectors



E&OE - Pricing subject to quotation